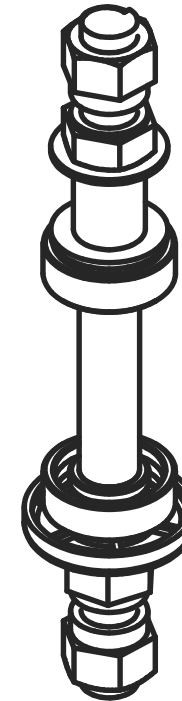
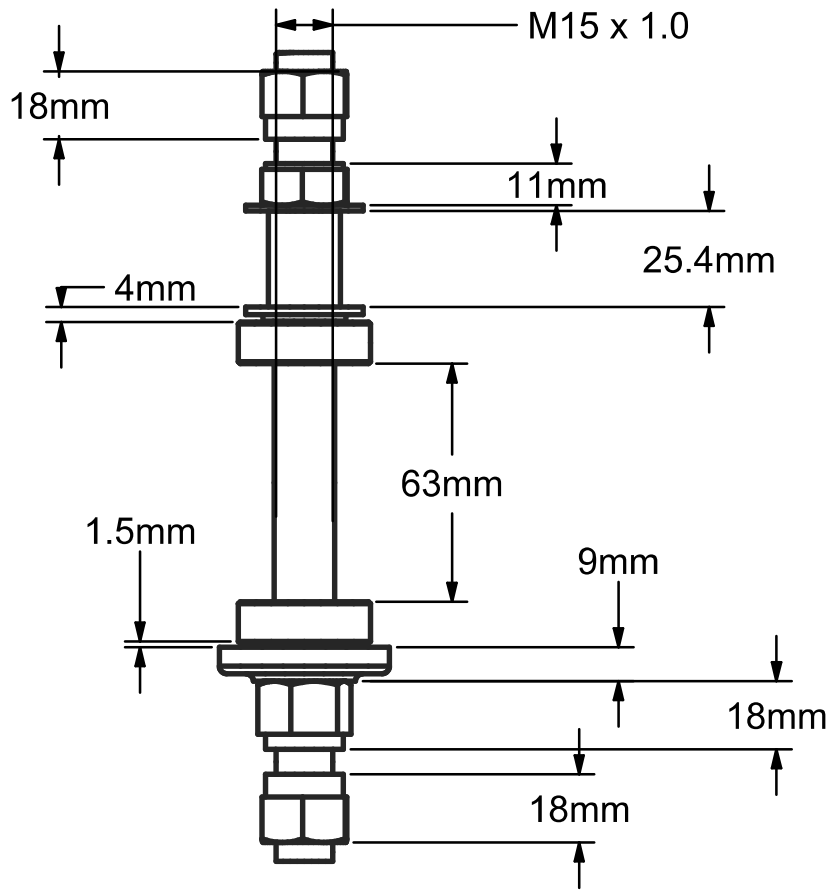


DIMENSIONS TO SHOW PARTS,
RATHER THAN POSITIONAL SPACING



THE DOT CLUB

TITLE: GRIMECA FRONT HUB ASSY

NAME:

MATL:

SCALE: 1:2

PROJN

ALL DIM

DWG N° 1

DATE: 19/06/2014